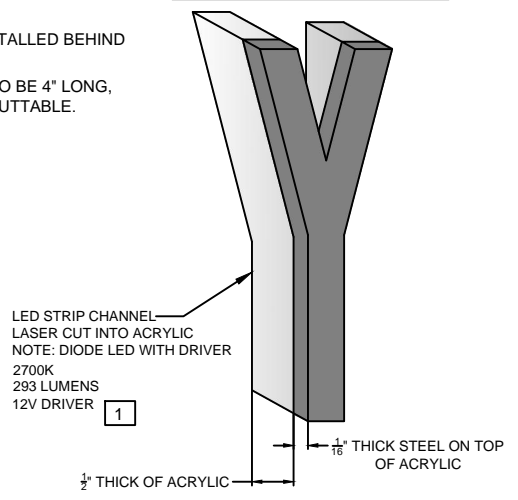


NOTES

- 1 DRIVER TO BE INSTALLED BEHIND THE WALL
- 2 ALL STANDOFFS TO BE 4" LONG, Ø3/4" AND FIELD CUTTABLE.

3-D LETTERING DETAIL



1233 WEST ST. GEORGES AVE. LINDEN, NJ 07036 908-925-7500 FAX: 908-925-9240	
CUSTOMER: THE LUCY/REP.: MBA JOB NAME: SIGN LED DIMENSION: CUSTOM: 60"W x 36" HT. FABRIC: LED STRIP & ACRYLIC FINISH: STEEL WITH BRASS FINISH (SEE SAMPLE)	
REF: PO: 1500000004-9R UNITS: 1	
DRAWN: RV DATE: 10/15/2018 CHECK: PC APPR: PC	CUSTOM LASER LED SIGN
ISSUED: REV. DATE: 12/11/2018	
SIZE: A DWG NO.: 2024 SCALE: -	REV.: 1 SHEET: 10F1
THE INFORMATION CONTAINED IN THIS DRAWING IS THE SOLE PROPERTY OF CUTTING EDGE INDUSTRIES. ANY REPRODUCTION IN PART OR WHOLE WITHOUT THE WRITTEN PERMISSION OF CUTTING EDGE INDUSTRIES WILL BE SUBJECT TO LEGAL PROSECUTION.	

FNAME
 RE/DATE
 USER